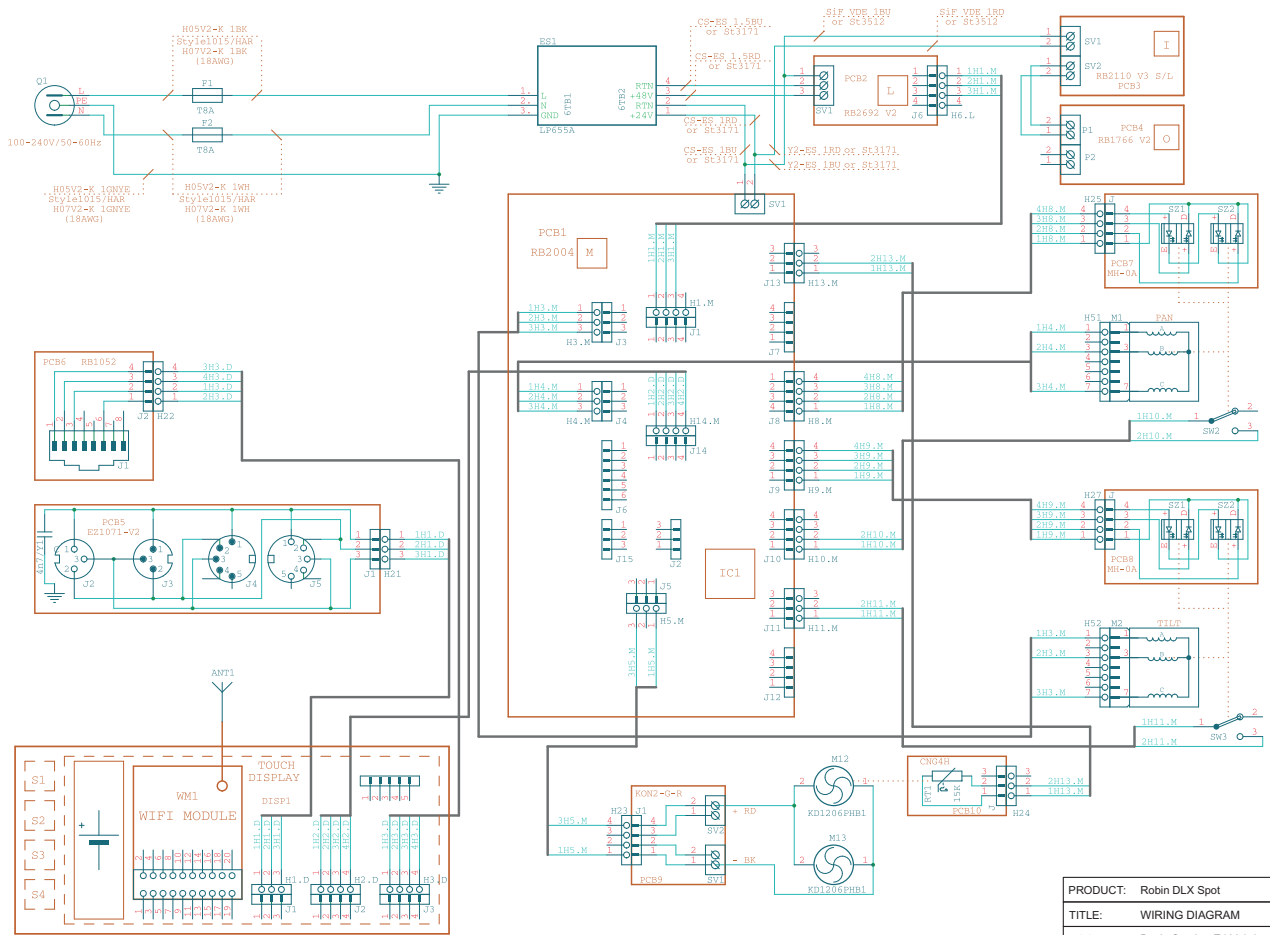
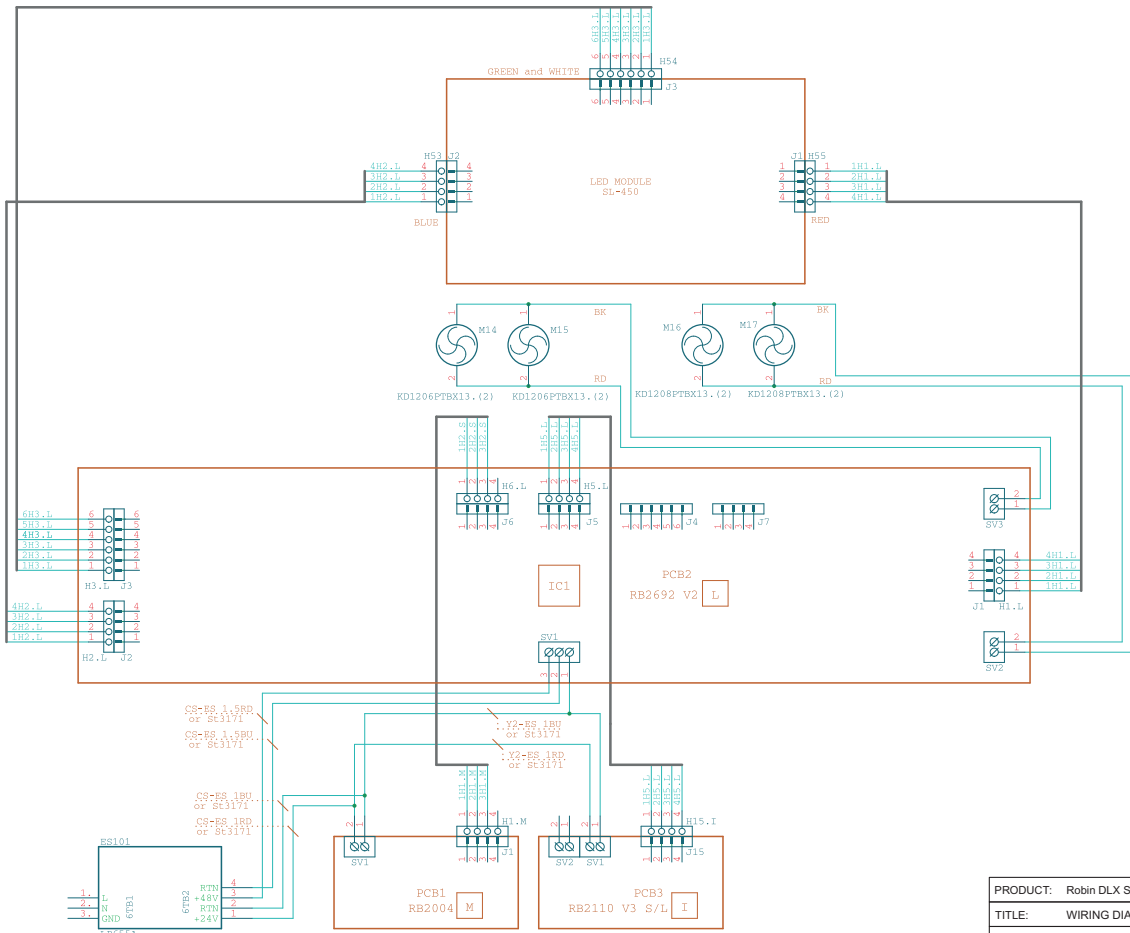


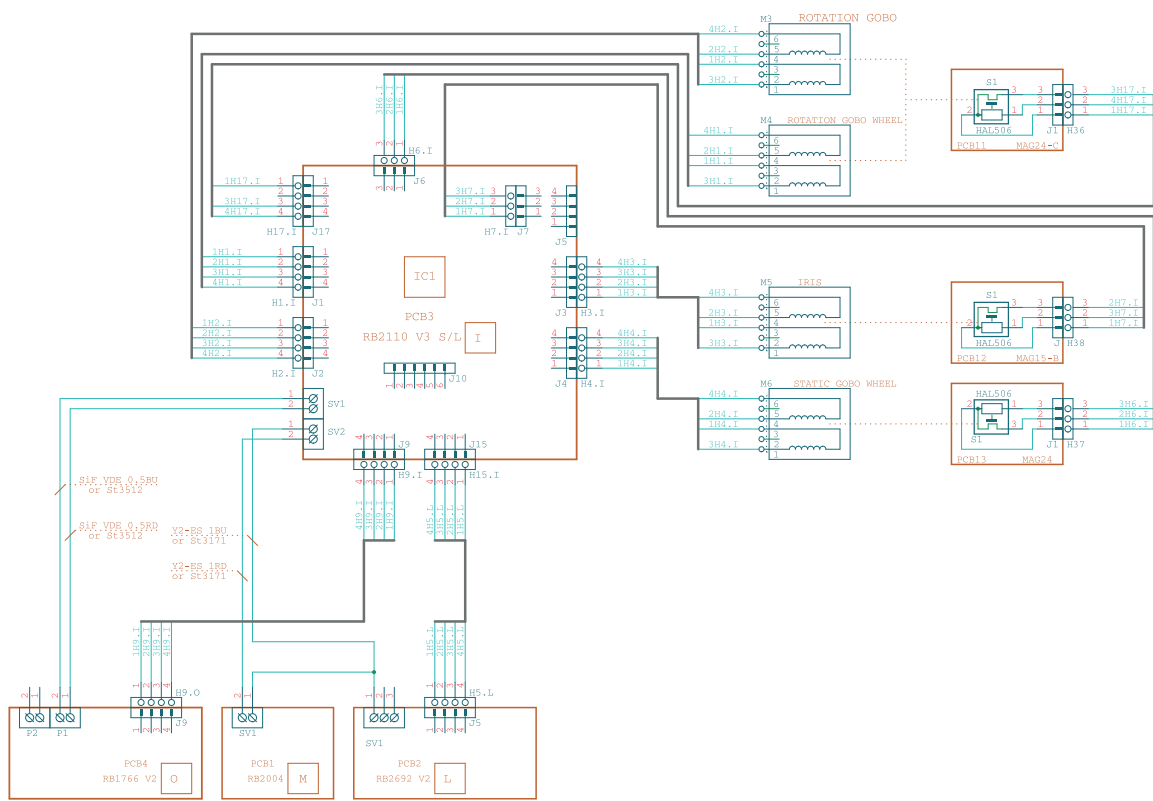
PRODUCT:	Roblin DLX Spot
TITLE:	WIRING DIAGRAM
DOCUMENT:	Basic Section E1 V 1.3
VERSION:	1
DATE:	14.03.2014
SHEET:	01 OF 12



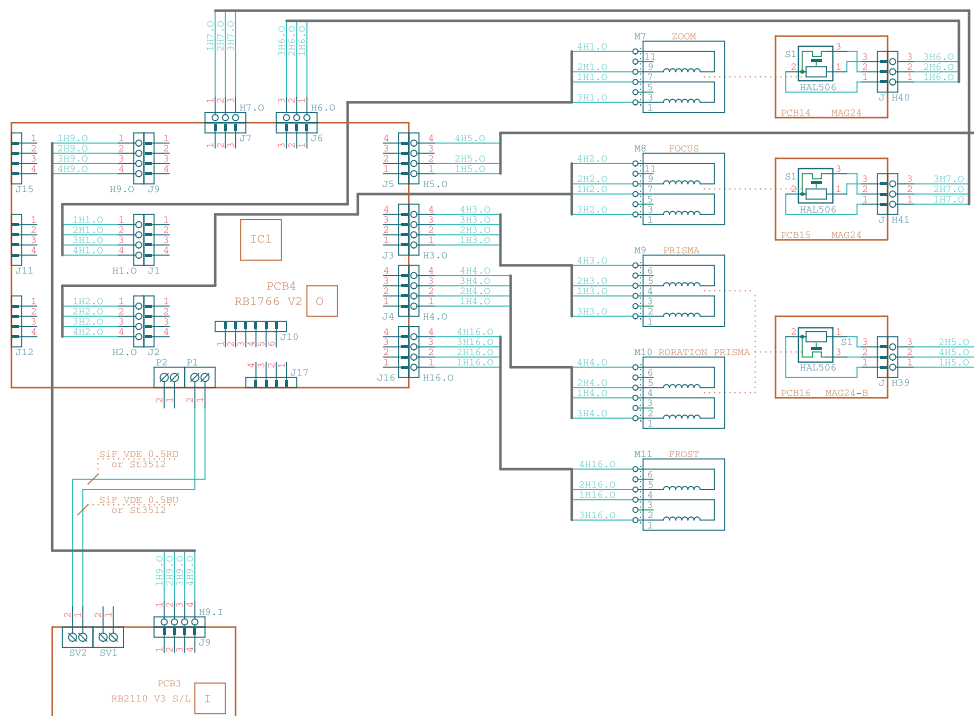
PRODUCT:	Robin DLX Spot
TITLE:	WIRING DIAGRAM
DOCUMENT:	Basic Section E1 V 1.4
VERSION: 1	DATE: 14.03.2014 SHEET: 02 OF 12



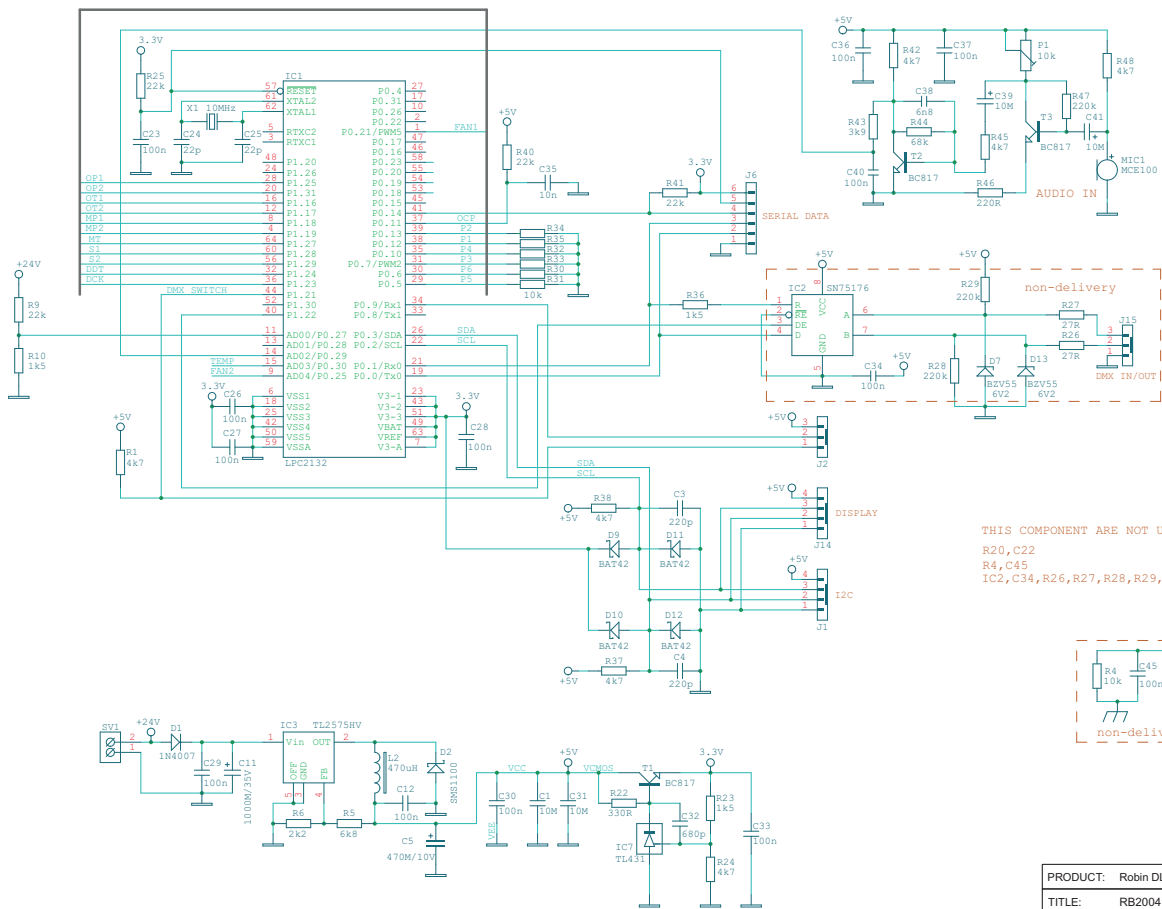
PRODUCT: Robin DLX Spot		
TITLE: WIRING DIAGRAM		
DOCUMENT: LED Section E2 V 1.3		
VERSION: 1	DATE: 14.03.2014	SHEET: 03 OF 12



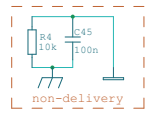
PRODUCT: Robin DLX Spot		
TITLE: WIRING DIAGRAM		
DOCUMENT: Iris Section E3 V 1.3		
VERSION: 1	DATE: 14.03.2014	SHEET: 04 OF 12



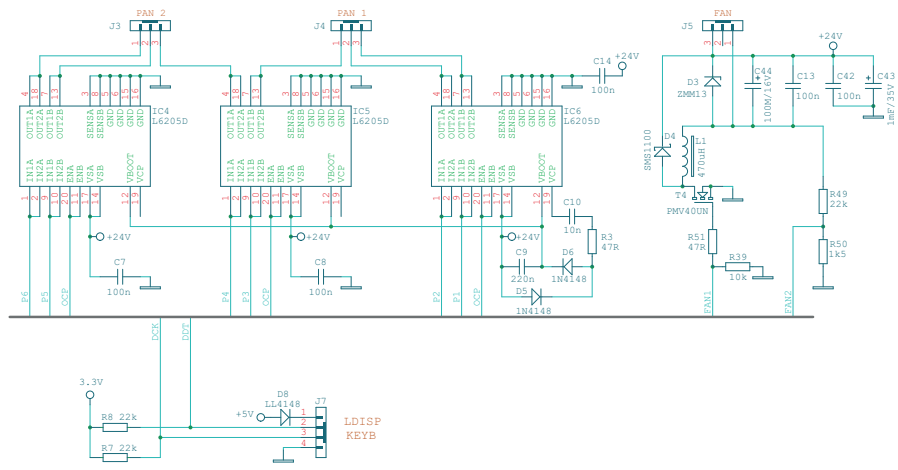
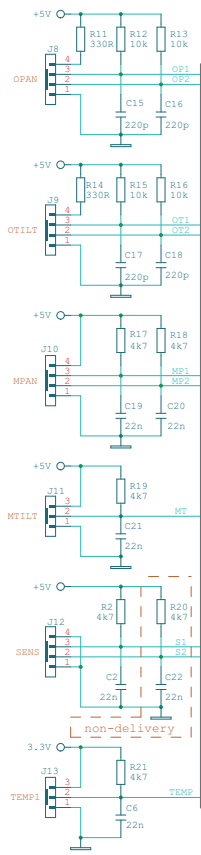
PRODUCT: Robin DLX Spot		
TITLE: WIRING DIAGRAM		
DOCUMENT: Zoom Section E4 V 1.3		
VERSION: 1	DATE: 14.03.2014	SHEET: 05 OF 12



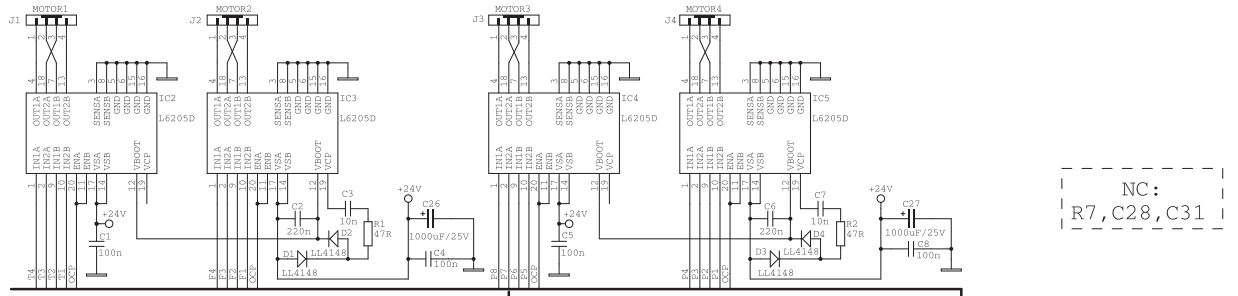
THIS COMPONENT ARE NOT USED
 R20, C22
 R4, C45
 IC2, C34, R26, R27, R28, R29, D7, D13, J15



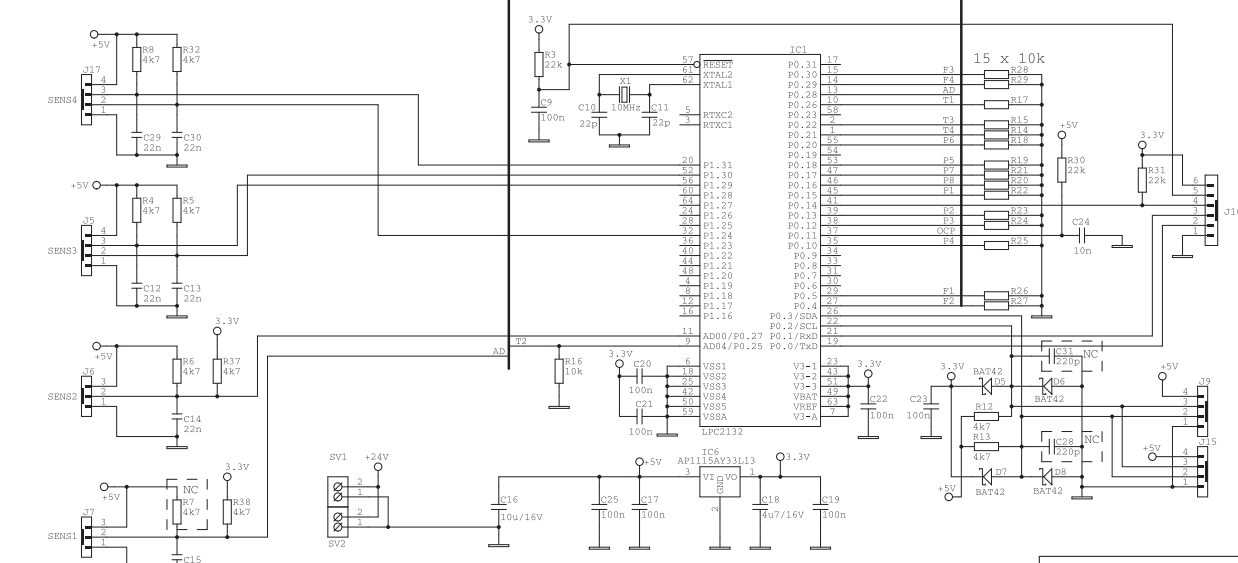
PRODUCT: Robin DLX Spot		
TITLE: RB2004 - part 1		
DOCUMENT: CIRCUIT DIAGRAM		
VERSION: 1	DATE: 14.03.2014	SHEET: 06 OF 12



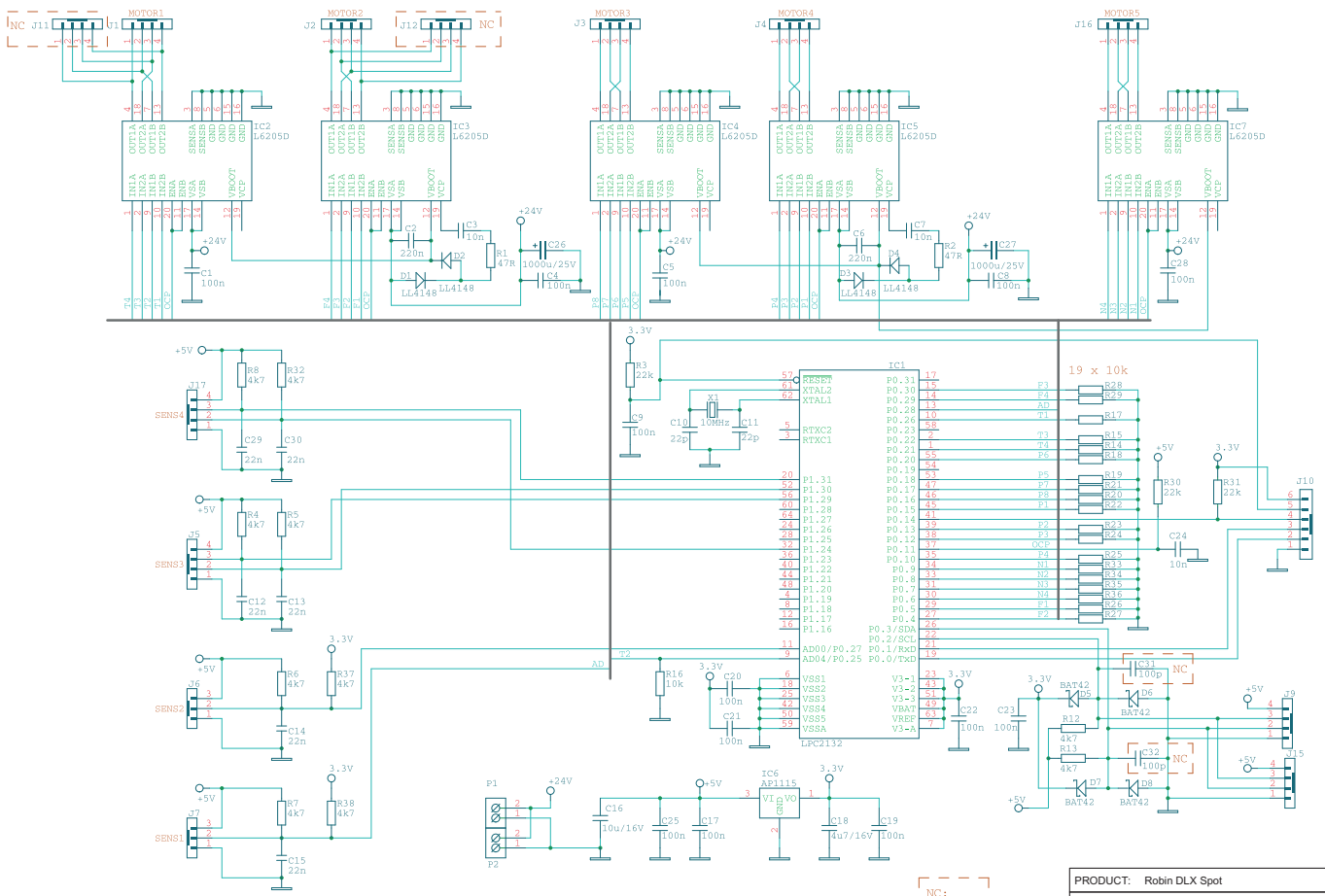
PRODUCT:	Robyn DLX Spot	
TITLE:	RB2004 - part 2	
DOCUMENT:	CIRCUIT DIAGRAM	
VERSION: 1	DATE: 14.03.2014	SHEET: 07 OF 12



NC:
R7, C28, C31

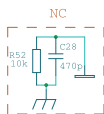
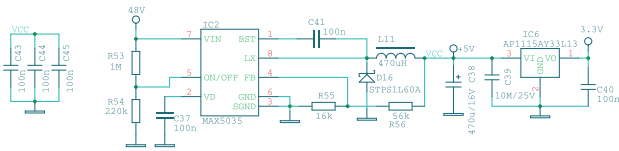
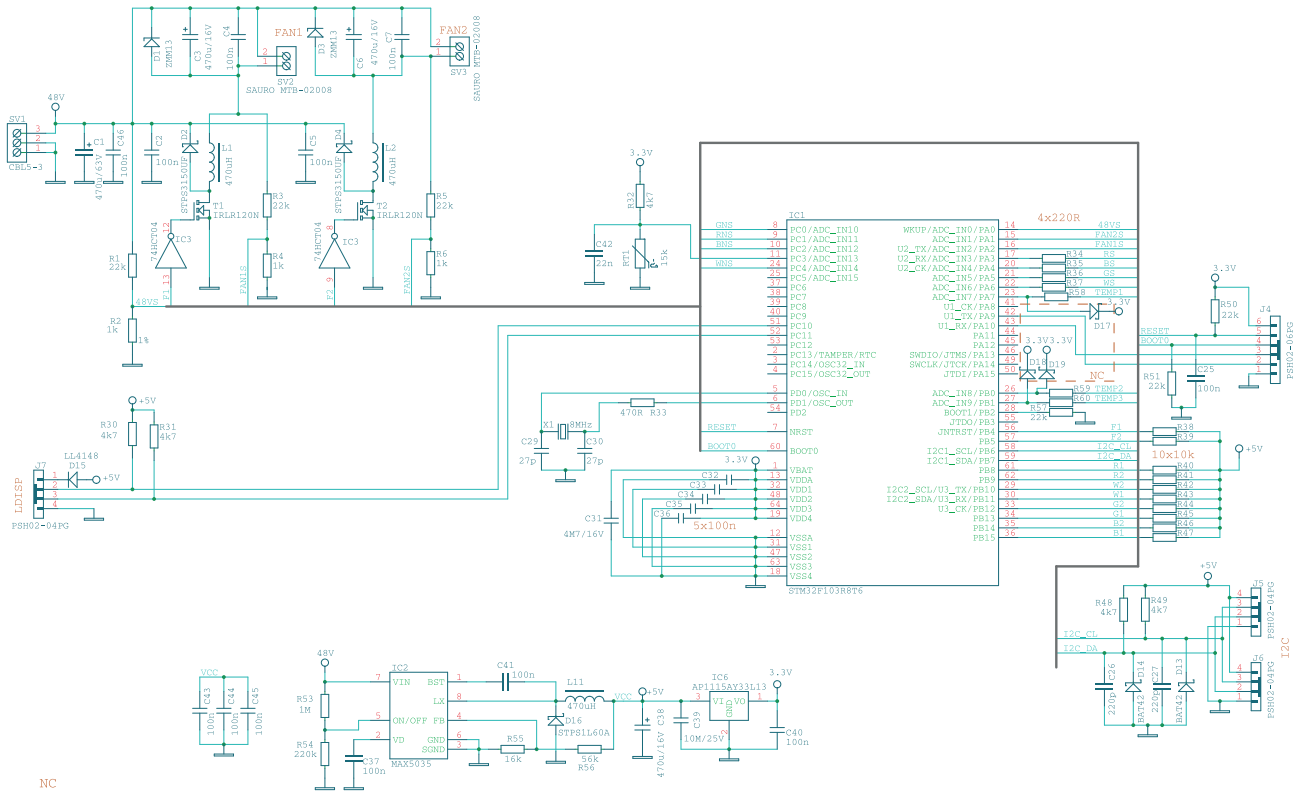


PRODUCT: Robin DLX Spot		
TITLE: RB2110-V3		
DOCUMENT: CIRCUIT DIAGRAM		
VERSION: 1	DATE: 14.03.2014	SHEET: 08 OF 12



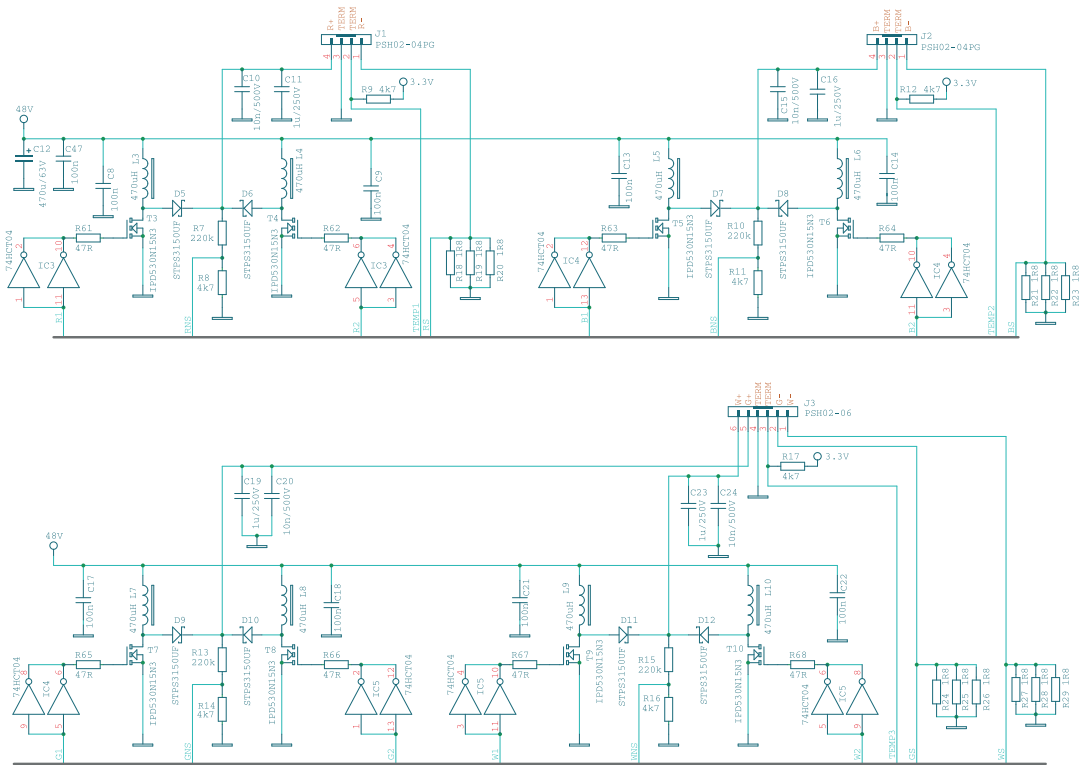
NC, J11, J12

PRODUCT:	Robin DLX Spot
TITLE:	RB1766-V2
DOCUMENT:	CIRCUIT DIAGRAM
VERSION:	1
DATE:	14.03.2014
SHEET:	09 OF 12

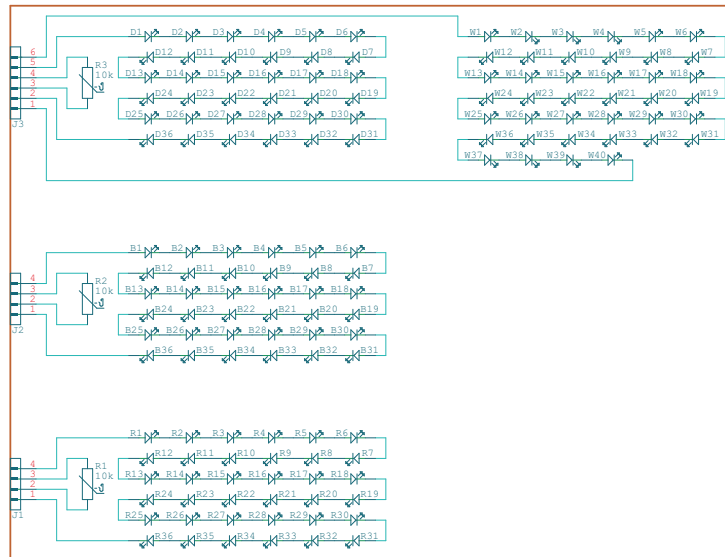


NC:
D17-D19, R52 a C28

PRODUCT:	Robin DLX Spot
TITLE:	RB2692-V2 - part 1
DOCUMENT:	CIRCUIT DIAGRAM
VERSION:	1
DATE:	14.03.2014
SHEET:	10 OF 12



PRODUCT: Robin DLX Spot		
TITLE: RB2692-V2 - part 2		
DOCUMENT: CIRCUIT DIAGRAM		
VERSION: 1	DATE: 14.03.2014	SHEET: 11 OF 12



PRODUCT: Robin DLX Spot		
TITLE: Atria SL-450 RGBW		
DOCUMENT: CIRCUIT DIAGRAM		
VERSION: 1	DATE: 14.03.2014	SHEET: 12 OF 12